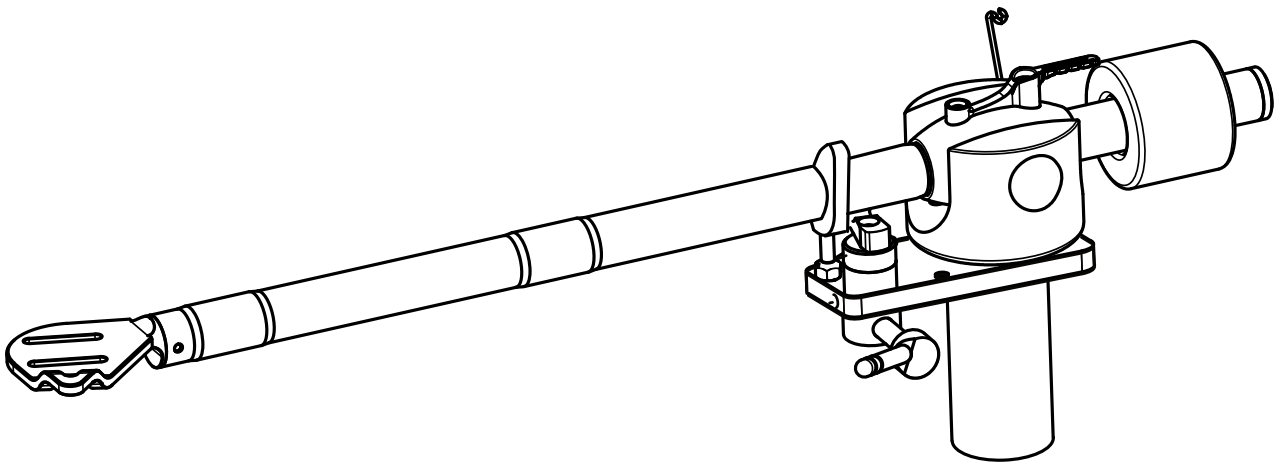


GOLD NOTE
il suono italiano



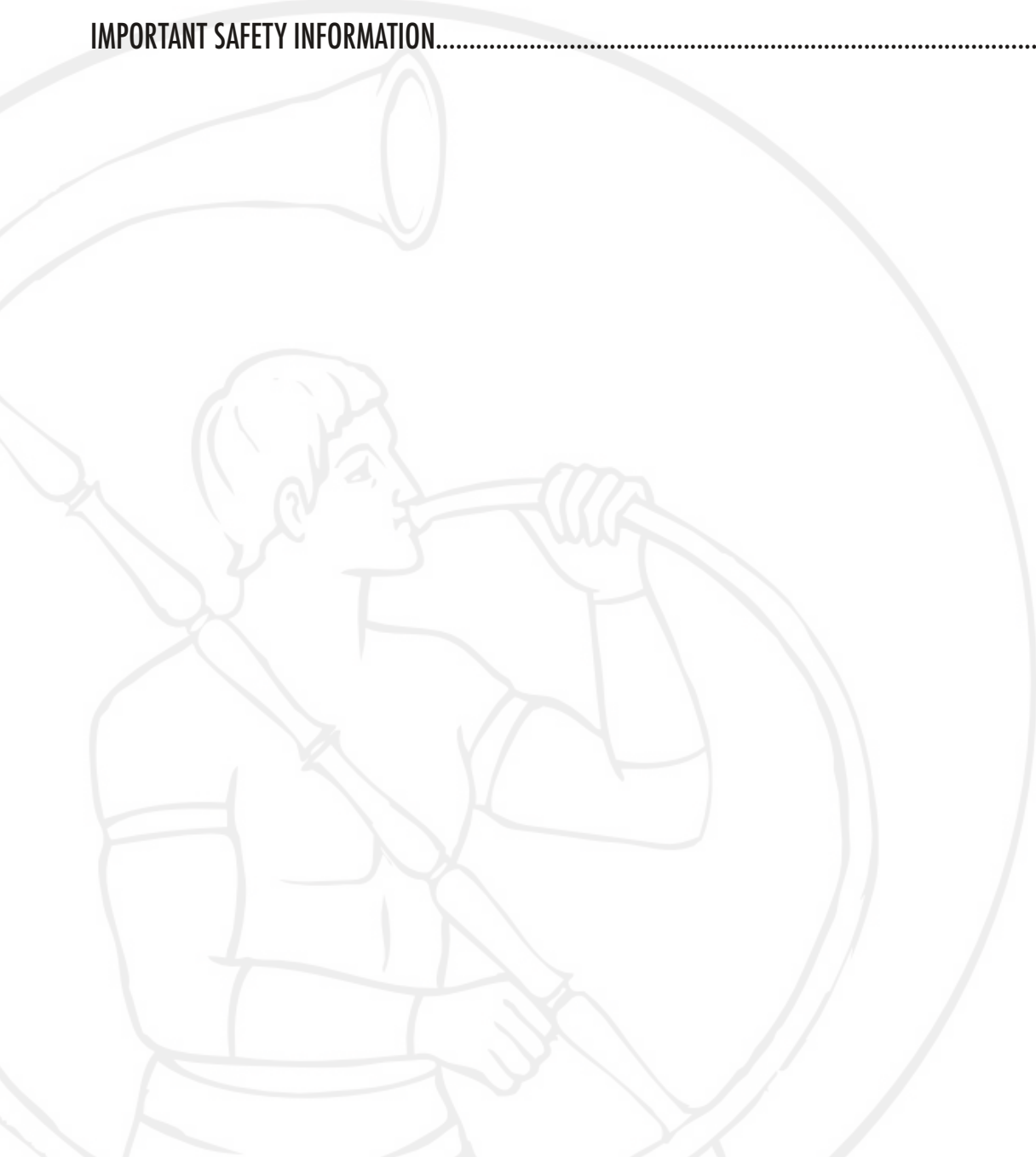
B-7 Ceramic

HIGH-PRECISION TONEARM

USER MANUAL

INDEX

DESCRIPTION AND SPECIFICATIONS.....	P. 3
INSTALLATION.....	P. 5
OVERVIEW AND ANTI-SKATING.....	P. 6
VTA AND AZIMUTH.....	P. 7
WARRANTY AND SERVICE.....	P. 8
TROUBLESHOOTING.....	P. 9
IMPORTANT SAFETY INFORMATION.....	P. 10



DESCRIPTION AND SPECIFICATION

A well designed tonearm should perform at its best with every cartridge while keeping things simple and effective, being easy to install and use: add quality materials and elegant looks to the equation and you'll get an idea of the **B-7 Ceramic**.

Carefully hand made in Italy with only one purpose: make your cartridge dive deep into the vinyl and bring to life the most natural and detailed music.

Inside the **B-7 Ceramic** you'll find four high precision micro ceramic ball-bearings manufactured in Germany by GRW: these ball-bearings are treated singularly and sealed to preserve their integrity and extreme precision, a crucial factor to enable noiseless functionality to let you enjoy every single nuance in your records.

B-7 Ceramic effective length of 242mm with 19mm overhang makes it easy to install on any turntable.

The Azimuth is adjustable through a pair of 2mm micro bolts to set up the shell perfectly.

The rear arm wand is dampened with silicon spacer to reduce unwanted vibrations and handles a finely machined Stainless Steel counterweight to set up most phono cartridges (up to 15 gram mass).

The vertical ultra-low friction ceramic ball-bearings are pivoted through stainless steel bolts manually adjusted, the horizontal movement is driven by two micro ball-bearings directly inserted in the main rectified pivot.

With a 23mm diameter arm shaft, the **B-7 Ceramic** can be secured on every turntable, improving performances and every day pleasure.

DESCRIPTION AND SPECIFICATION

SPECIFICATIONS

Typology: 9" Ball Bearing Tonearm

Overhang: 19mm

Offset: 24°

Arm wand: Straight Titanium with 6 different sections

Inserting Plinth Shaft: 23mm

Dynamic effective mass: 10g

VTF: 0.176N (18g)

VTA: adjustable on collar

Lift: hydraulic

Anti-skating: wire 5 positions

Anti-skating force: from the center to the outside the effect is 0.5g each step = 0.5 - 1.0 - 1.5 - 2.0 - 2.5

Azimuth: adjustable on the headshell

CABLES

Internal cables: AWG36 Hyper Litz shielded 99,99% OFC

External cable supplied: 1,5m custom 4 pole DIN/RCA

DIMENSIONS AND WEIGHT

Effective length: 242 mm

Weight: 195g without counterweight

FINISHES

Shell and pivot: Black anodised Aluminium

Arm wand: titanium

Counterweight: Stainless Steel natural

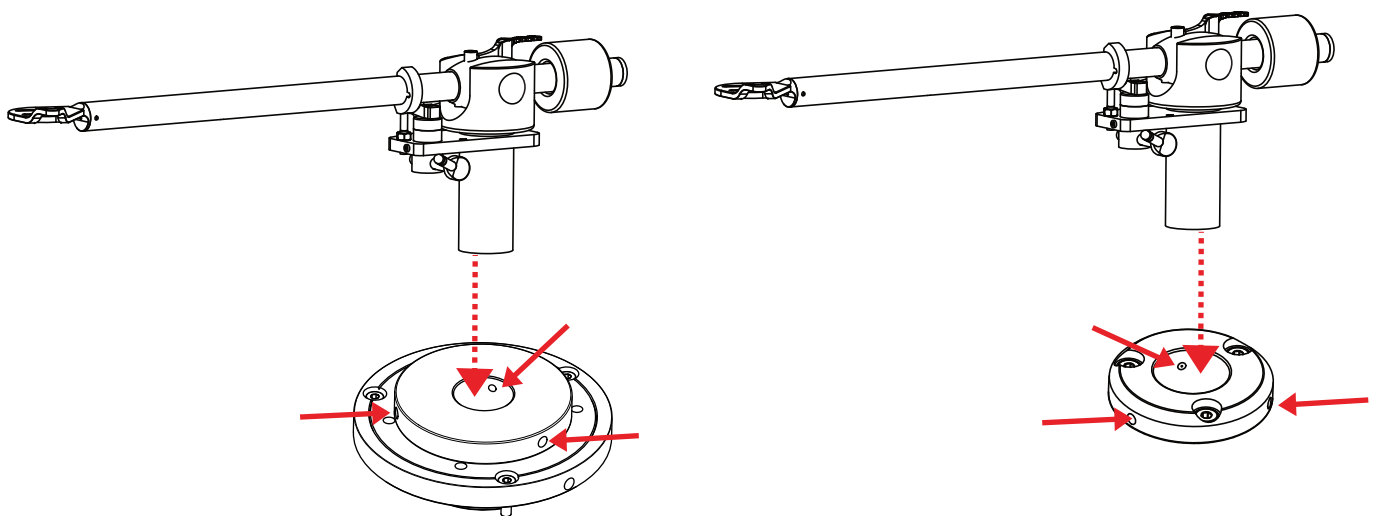
Hydraulic lift board: Black

INSTALLATION

STEP 1

Insert the tonearm into the arm collar on the turntable and block it with the hex-bolts on the collar while adjusting the VTA (requires the cartridge to be already installed).

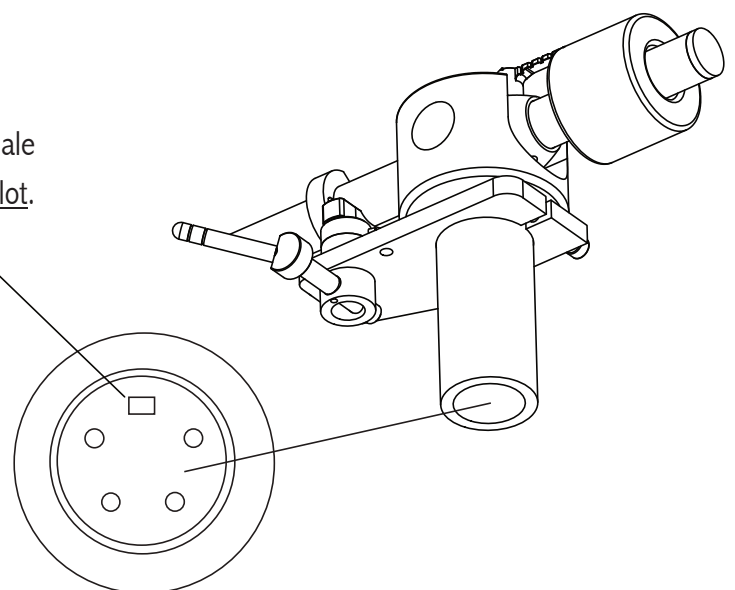
Insert the Phono Cable into the arm collar of the turntable as suggested in the picture. Insert the arm into the base and then proceed to screw the 3 grains arranged on the external circumference at intervals of 120 °.



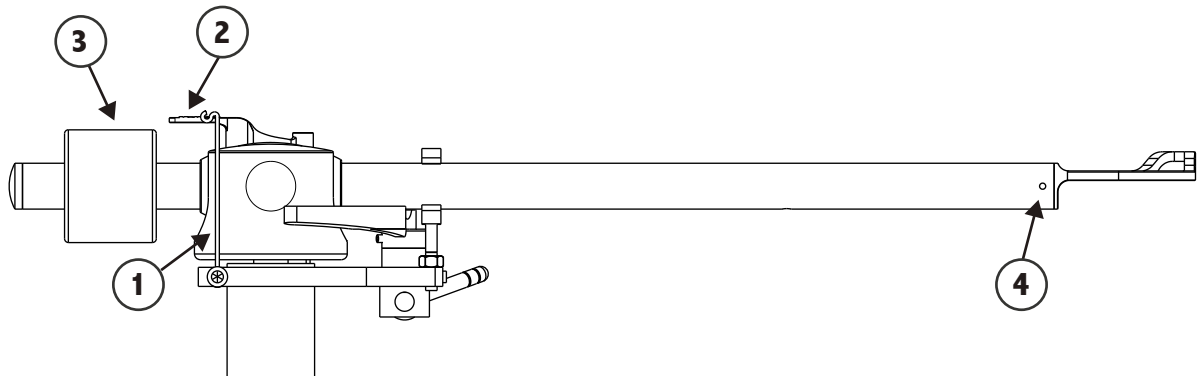
STEP 2

Connect the Phono Cable to the tonearm.

To align the female DIN connector of the tonearm to the male DIN connector of the cable correctly refer to the ground slot.



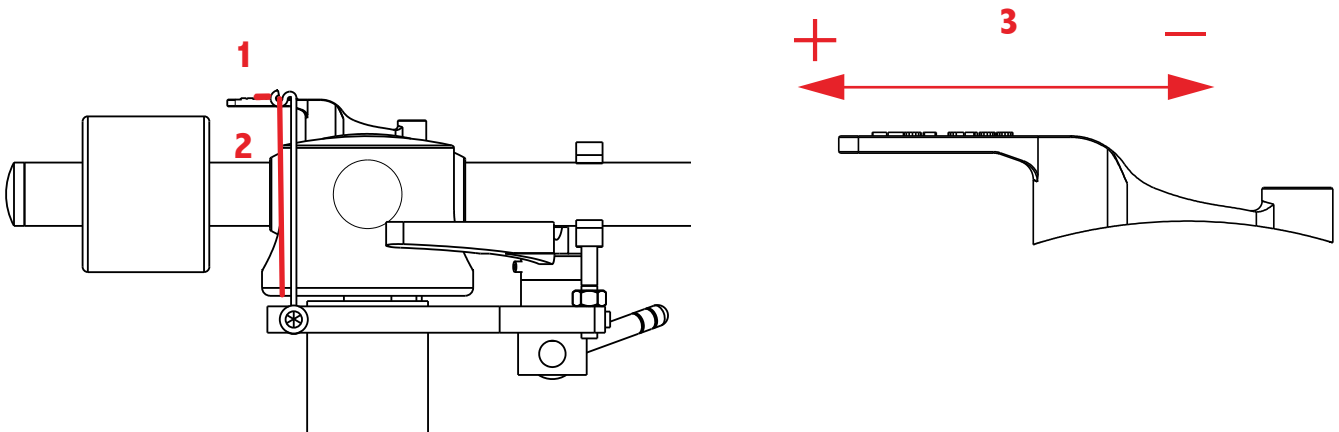
OVERVIEW AND ANTI-SKATING



- 1** - ANTI-SKATING nylon wire with bullet counterweight
- 2** - ANTI-SKATING adjustment bar
- 3** - TONEARM COUNTERWEIGHT: to set up the correct tracking force depending on the phono cartridge in use
- 4** - SHELL AZIMUTH ADJUSTMENT: to adjust the alignment of the tonearm head-shell (0,9mm Allen Wrench)

INSTALLING THE ANTI-SKATING SYSTEM

- 1** - Slip the loop of the ANTI-SKATING nylon wire over the groove of the ADJUSTMENT BAR
- 2** - Feed the wire through the loop of the SUPPORT HOOP
- 3** - Adjust the ANTI-SKATING force choosing the correct groove on the ADJUSTMENT BAR

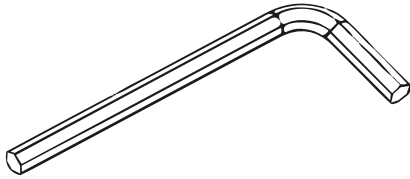


VTA AND AZIMUTH

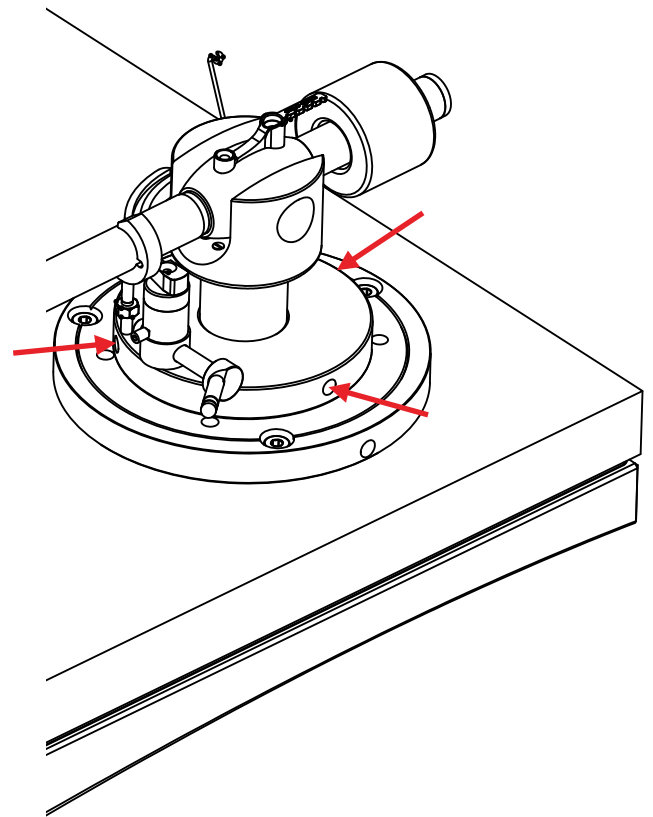
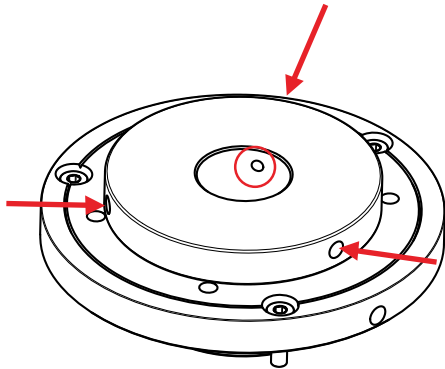
VTA SETUP

To up or down the arm by correctly adjusting the VTA, use the 1.5 mm Allen key supplied by Gold Note and insert it in the three holes on the arm board indicated by the arrows.

Allen-key 1,5 mm



Arm board

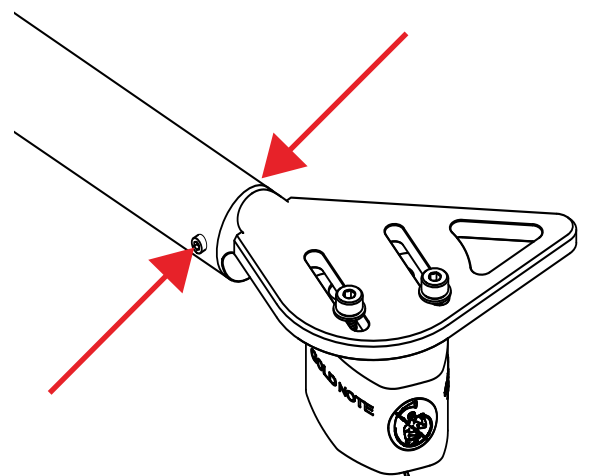
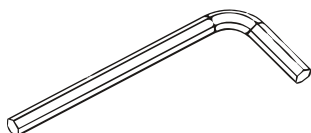


AZIMUTH

After the cartridge has been properly installed on the tone arm, you can adjust the angle of the headshell with the supplied 0,9 mm Allen Wrench.

Setting a correct Azimuth will provide a better audio performance.

Allen-key 0,9 mm



WARRANTY AND SERVICE

WARRANTY

To validate the warranty is necessary to register the unit on the Gold Note internet web site within 15 days from the purchase on the appropriate area of the web site: www.goldnote.it/warranty

If the unit is not registered correctly or has been purchased from a different country of the purchaser home address the unit will not be covered by any warranty and the registration will be refused.

The warranty does not cover in any case: Tubes, Phono Cartridge Stylus and Batteries.

SERVICE

Every GOLD NOTE® product is the result of meticulous technological research, and consequently their correct functioning is guaranteed. In spite of this it is possible that problems may emerge which non-specialist users cannot resolve.

In this case, contact your dealer to be advised on how the fault can be solved.

Do not return any object directly to the factory or to the distributor without being authorised to do so.

In such cases both GOLD NOTE® and the distribution agents decline responsibility of any kind.

For more information please visit www.goldnote.it/service

PLEASE NOTE

Descriptions and technical characteristics may vary at any time and without notice.

TROUBLESHOOTING

FAQ

ACTION	DESCRIPTION	HOW TO ADJUST IT
CLEANING THE UNIT		<ul style="list-style-type: none"> • Use EXTREME care and ONLY very soft cotton cloth to clean the unit. Any acid will irreversibly damage the unit fine finishes. Do not use any alcohol to clean the unit. Only dry cloth is allowed.

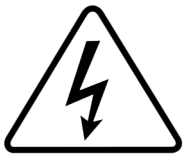
TROUBLESHOOTING

SYMPTOM	DESCRIPTION	CAUSE	REMEDY
SPEAKER HUMMING PROBLEMS	The speakers hum when the cable is connected to the Amplifier.	<ul style="list-style-type: none"> • The tone arm is not correctly Grounded. 	<ul style="list-style-type: none"> • Be sure the Phono Cable DIN Connector is well inserted in the tone arm female DIN.
		<ul style="list-style-type: none"> • The interconnect input and/or output cables of the amplifiers are not shielded. 	<ul style="list-style-type: none"> • Be sure to always use shielded cables for the amp connections.
		<ul style="list-style-type: none"> • The cartridge connectors are not well inserted. 	<ul style="list-style-type: none"> • Verify the cartridge connectors are well inserted.
		<ul style="list-style-type: none"> • The Ground DIN connector slots do not touch each other. 	<ul style="list-style-type: none"> • Be sure the DIN slot contacts touch each other well.
TONE ARM TRACKS BAD	The Headshell is bent.		<ul style="list-style-type: none"> • Adjust the Azimuth of the Head-Shell with the supplied 0,9mm Allen Wrench as described in the specific chapter of this manual.
	The Vertical Tracking Angle of the arm is Wrong.		<ul style="list-style-type: none"> • Adjust the VTA moving the arm shaft by loosening the three hex-bolts placed on the edge on the arm board collar with the help of the 1,5mm Allen Wrench supplied.

For spare parts visit the official **Gold Note** store at:

<http://www.akamaiaudio.it/>

IMPORTANT SAFETY INFORMATION

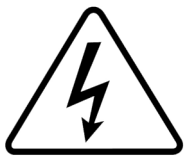


CAUTION
RISK OF ELECTRIC SHOCK
DO NOT OPEN



CAUTION!

TO REDUCE THE RISK OF ELECTRIC SHOCK, DO NOT REMOVE COVER (OR BACK). NO USER-SERVICEABLE PARTS INSIDE. REFER ONLY TO QUALIFIED GOLD NOTE SERVICE PERSONNEL FOR SERVICE



WARNING
FIRE OR SHOCK HAZARD



WARNING!

TO PREVENT FIRE OR SHOCK HAZARD, DO NOT EXPOSE THIS APPLIANCE TO RAIN OR MOISTURE

Do not disassemble any part of the product.

Do not use any part of the product for other purposes.

For service and problems of any kind, contact qualified Gold Note personnel.

Protect the product from rain, humidity and keep away from heat sources, electric and electronic motors etc.

The power Chord supplied must be used only on this unit.

Gold Note does not have responsibility for any improper use of this unit.

This appliance has a serial number located on the rear panel.

Please record the model and serial number and retain them for your records.

Serial Number: _____

Model: _____

IMPORTANT SAFETY INFORMATION

- 1** Read these instructions and store them.
- 2** Heed all warnings.
- 3** Follow the instructions.
- 4** Do not use this apparatus near water.
- 5** Clean only with a dry cloth.
- 6** Do not block the ventilation openings and install in accordance with the manufacturer's instructions.
- 7** Do not install near heat sources such as radiators, heat registers, stoves or other apparatus (including amplifiers) that produce heat.
- 8** Do not defeat the safety purpose of the polarized or grounding-type plug: a polarized plug has two blades with one wider than the other.

A grounding type plug has two blades and a third grounding prong.

The wide blade or the third prong are provided for your safety.

If the provided plug does not fit into your outlet, consult an electrician for replacement of the obsolete outlet.

9 Protect the power cord from being walked on or pinched particularly at plugs, convenience receptacles, and the point where they exit from the apparatus.

10 Only use attachments/accessories specified by the manufacturer.

11 Use only with the cart, stand, tripod, bracket, or table specified by the manufacturer, or sold with the apparatus.

When a cart is used, use caution when moving the cart/apparatus combination to avoid injury from tip-over.

12 Unplug this apparatus during lightning storms or when unused for long periods of time.

13 Refer all servicing to qualified service personnel only.

Servicing is required when the apparatus has been damaged in any way (such as when the power cord or plug is damaged, liquid has been spilled or objects have fallen into the apparatus, the apparatus has been exposed to rain or moisture) and in any case when the apparatus does not operate normally or has been dropped.

-
- Do not expose this apparatus to drips or splashes.
 - Do not place any objects filled with liquids, such as vases, on the apparatus.
 - Do not install this apparatus in a confined space such as a book case or similar unit.
 - The apparatus draws nominal non-operating power from the AC outlet with its POWER or STANDBY/ON switch not in the ON position.
 - The apparatus should be located close enough to the AC outlet so that you can easily grasp the power cord plug at any time.

- The main plug is used as the disconnect device, the disconnect device shall remain readily operable.
- If the product uses batteries (including a battery pack or installed batteries), they should not be exposed to sunshine, fire or excessive heat.
- Caution should be taken when using earphones or headphones with the product because excessive sound pressure (volume) from earphones or headphones can cause hearing loss.



 [goldnote_italy](https://www.instagram.com/goldnote_italy)

 [Gold Note Audio](https://www.facebook.com/GoldNoteAudio)

 [Gold Note](https://www.youtube.com/GoldNote)

Akamai S.r.l.
service@goldnote.it
www.goldnote.it